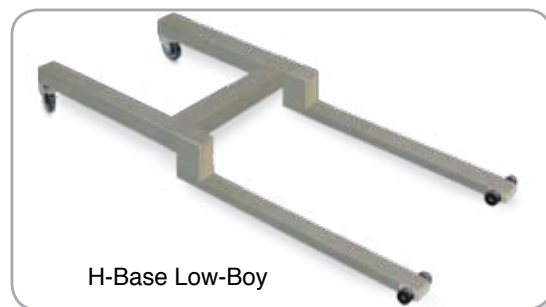
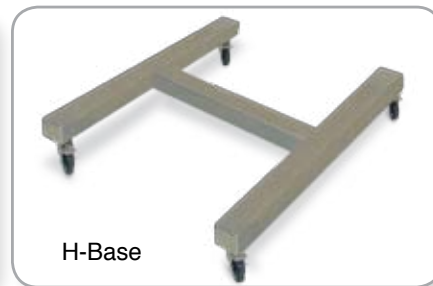
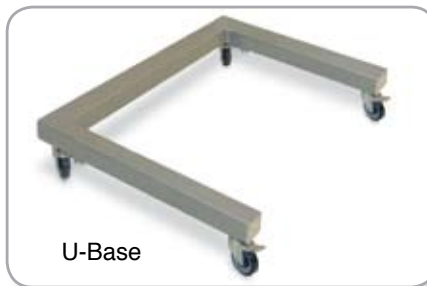
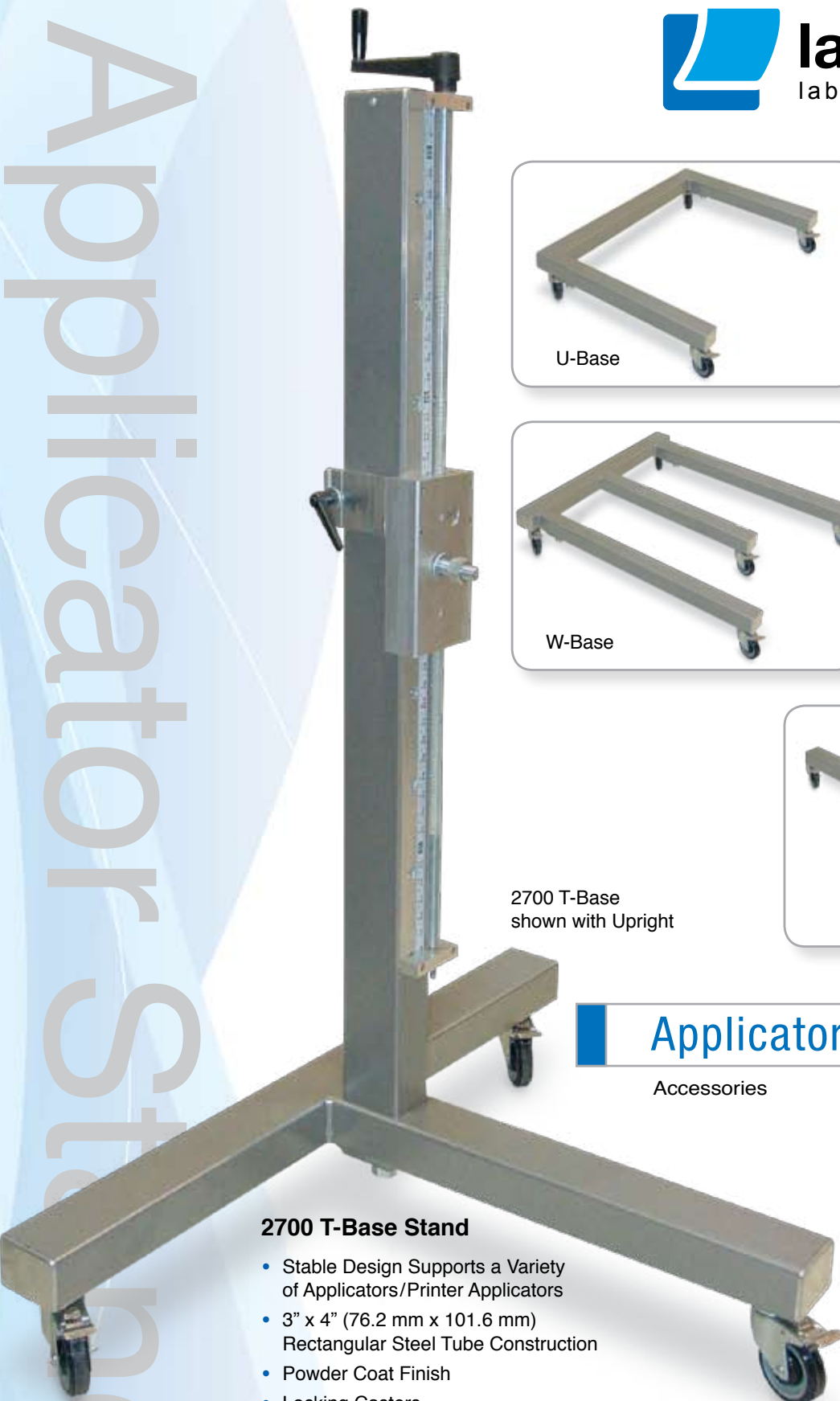


Applicator Stands



2700 T-Base
shown with Upright

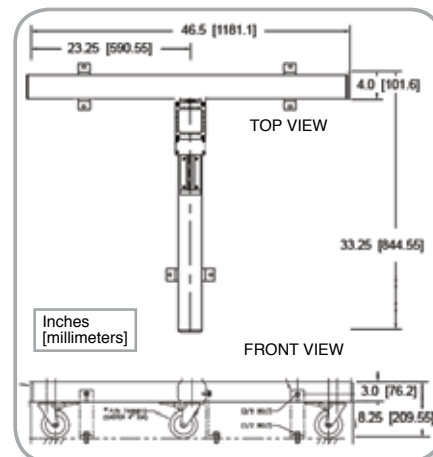
Applicator Stands

Accessories

2700 T-Base Stand

- Stable Design Supports a Variety of Applicators/Printer Applicators
- 3" x 4" (76.2 mm x 101.6 mm) Rectangular Steel Tube Construction
- Powder Coat Finish
- Locking Casters
- Food Grade Casters Available
- Leveling Feet Available
- Stainless Steel Construction Available

Actual base configuration may vary dependent upon application specifications.

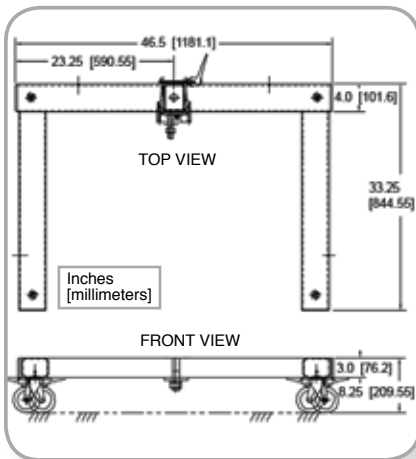


Have a Label-Aire Authorized Distributor contact you. Visit www.label-aire.com.



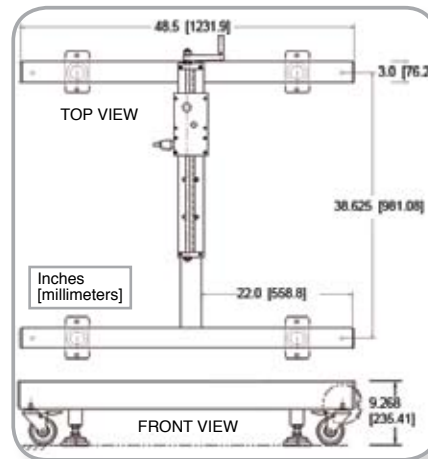
Applicator Stands

Accessories



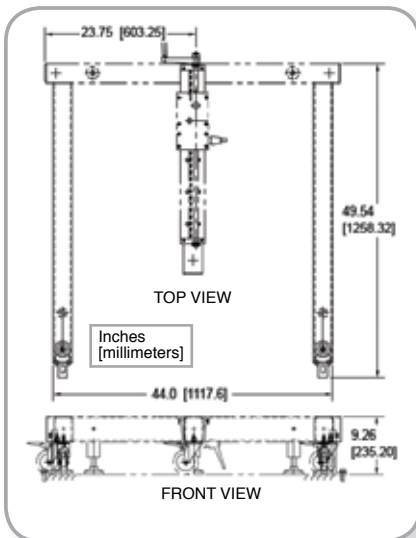
U-Base Stand

- U-Shape Provides Increased Stability
- For Larger Applicators/ Printer Applicators
- 3" x 4" Rectangular Steel Tube Construction
- Powder Coat Finish
- Locking Casters
- Food Grade Casters Available
- Leveling Feet Available
- Stainless Steel Construction Available



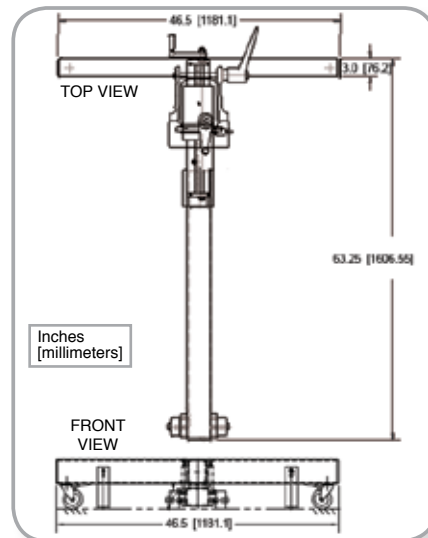
H-Base Stand

- H-Shape Provides The Most Stability
- For Larger Applicators/ Printer Applicators
- 3" x 4" Rectangular Steel Tube Construction
- Powder Coat Finish
- Locking Casters
- Food Grade Casters Available
- Leveling Feet Available
- Stainless Steel Construction Available



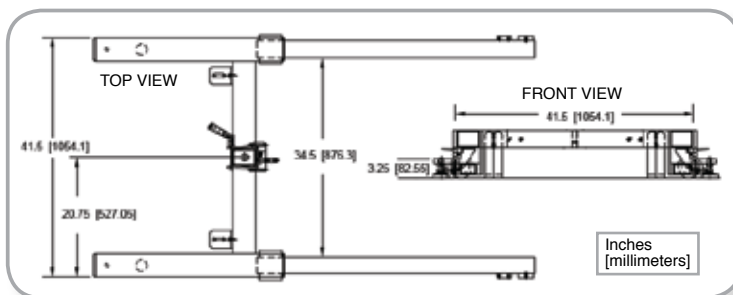
W-Base Stand

- W-Shape Provides Even Greater Stability
- For Larger Applicators/ Printer Applicators
- 3" x 4" Rectangular Steel Tube Construction
- Powder Coat Finish
- Locking Casters
- Food Grade Casters Available
- Leveling Feet Available
- Stainless Steel Construction Available



Low-Boy Stand

- Stable Design Supports A Variety of Applicators/ Printer Applicators
- Low Clearance Design
- 3" x 4" Rectangular Steel Tube Construction
- Powder Coat Finish
- Locking Casters & Low Clearance Casters
- Food Grade Casters Available
- Leveling Feet Available
- Stainless Steel Construction Available



H-Base Low-Boy Stand

- H-Shape Provides The Most Stability
- Low Clearance Design
- For Larger Applicators/ Printer Applicators
- 3" x 4" Rectangular Steel Tube Construction
- Powder Coat Finish
- Locking Casters & Low Clearance Casters
- Food Grade Casters Available
- Leveling Feet Available
- Stainless Steel Construction Available



Headquarters

550 Burning Tree Road
Fullerton, CA 92833 USA

o 714.449.5105
f 714.526.0300
e info@label-aire.com
w www.label-aire.com

Europe

Sjællandsvej 27A
DK-9500 Hobro, Denmark

o +45.9657.0063
f +45.9657.0064
e info@label-aire.com
w www.label-aire.com

Asia

No. 10, Lane 228, Taisi S. Road
Longjing Township
Taichung County 434, Taiwan

o +886.4.2395.5684
f +886.4.2395.8007
e info@label-aire.com
w www.label-aire.com

Distributed by: