

Model 3138-NV



3138-NV

Printer Applicator

The Label-Aire® Model 3138-NV Printer Applicator works hard for you... so you don't have to.

The Model 3138-NV Printer Applicator delivers on its promise of accuracy, reliability, and ease of use. That translates into lower operating costs and increased productivity for your business.

The 3138-NV is Label-Aire's most advanced printer applicator which features New Generation technology making it the ideal choice for the most demanding applications. Advanced features include automatic setup with multiple programmable label pages for easy change-overs to labels of different sizes, rate compensation for improved label placement accuracy, and advanced user-configurable I/O connectivity. All these handy features greatly simplify setup and change-overs. The 3138-NV is just as tough as it is advanced. Its rugged stainless steel and anodized aluminum construction is corrosion resistant providing long-lasting durability and maintenance-free operation in the most hostile environments. Like all Label-Aire printer applicators, the 3138-NV is compatible with most O.E.M. printers on the market.

Put this most advanced printer applicator to work for you all day, every day. The Model 3138-NV Printer Applicator is built to meticulous quality standards and designed to withstand the most intense operation.

Have a Label-Aire Authorized Distributor contact you. Visit www.label-aire.com.



3138-NV Printer Applicator Specifications

Dimensions:

Height: 23.96" (.61 m)
 Length: 30.79" (.78 m)
 Width: 26.97" (.68 m)

Weight:

165 lbs. (75 kg)

Standard Label Dimensions:

Label Width: Up to 7.2" (183 mm)
 Label Length: Up to 7" (178 mm)
 (Printer dependent)

Dispense Speed:

Up to 16" (305 mm) per second depending on printer and label size

Label Dispense Accuracy:

+/- 1/32" (.8 mm)

Electrical:

115 Volts AC 60 Hz 5 Amps.
 220 Volts AC 50 Hz 5 Amps.

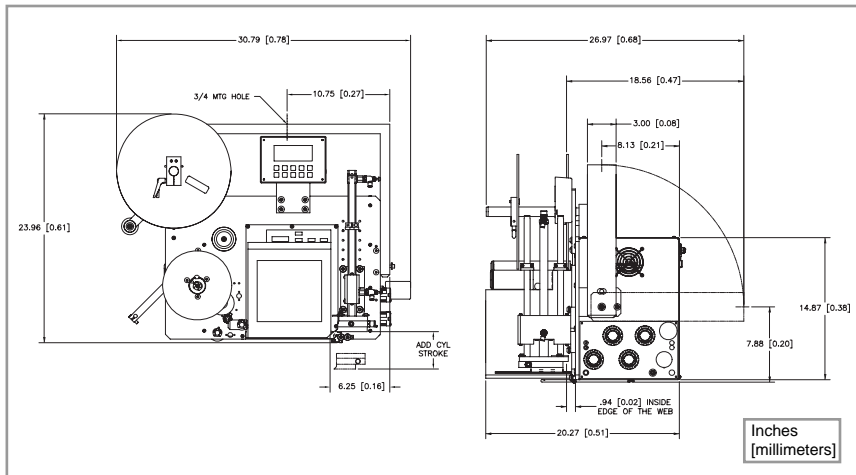
Air:

4 cfm at 90 psi for most applications

Options:

Most O.E.M. print engines
 17" (432 mm) powered unwind
 Label on pad detection
 Air-Blow conversion
 90° swing tamp configuration
 Dual Action Tamp (DAT) configuration
 Low label sensor

Consult factory for additional options.



Stated dimensions are approximations. Please consult factory if dimensions are required for line integration.

3138-NV Advanced Features

Automatic setup	Includes multiple programmable label pages for easy change-overs to different label sizes.
Split cover	Allows easier access to electronics.
Pneumatic panel	For easy component replacement.
Ambidextrous parts	Allows easy reassembly in opposite hand configuration.
1" to 10" (25.4 mm to 254 mm) adjustable tamp assembly	Consists of steel rods, locking collars, and heavy duty air cylinder for 24/7 label application.
Digital display	Remote operator control capability.
Flash memory	Allows easy download of system software updates.
Rate compensation	For improved label placement accuracy.
Advanced I/O	User-configurable for system output.
Stepper rewind	Comes standard for waste take up.
17" (43 m) powered unwind	Optional configuration is geared for high-speed, heavy duty operation.
3-color light stack	Optional 3-color light stack warns of "end of label/ribbon" and "low ribbon". "Low label" is available.



Headquarters

550 Burning Tree Road
 Fullerton, CA 92833 USA

o 714.441.0700
 f 714.526.0300
 e info@label-aire.com
 w www.label-aire.com

Europe

Sjællandsvej 27A
 DK-9500 Hobro, Denmark

o +45.9657.0063
 f +45.9657.0064
 e info@label-aire.com
 w www.label-aire.com

Asia

No. 10, Lane 228, Taisi S. Road
 Longjing Township
 Taichung County 434, Taiwan

o +886.4.2395.5684
 f +886.4.2395.8007
 e info@label-aire.com
 w www.label-aire.com

Distributed by:

