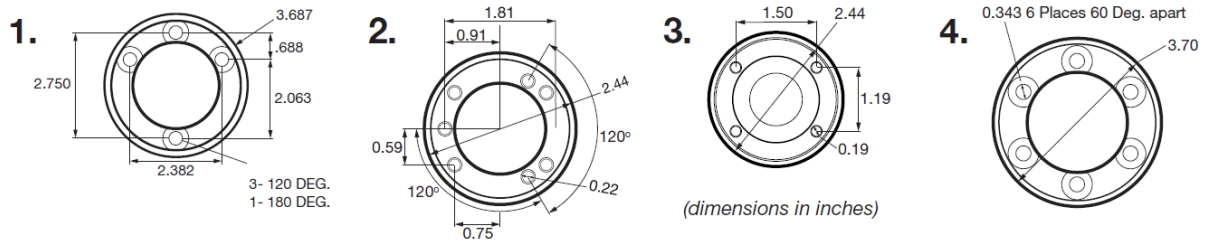


CRADLE/DEVICE ADAPTERS

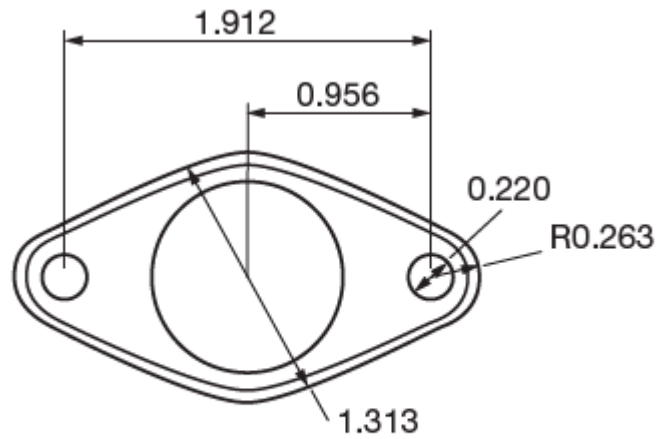
Round Adapters



Part Number	Ball Size	Base Dimensions	Drawing Reference
RAM-B-202U	1" (B)	2.5" diameter round	Drawing 2
* RAM-202U-IN1	1.5" (C)	2.5" diameter round	Drawing 2
RAM-202U	1.5" (C)	2.5" diameter round	Drawing 2
* RAM-D-202U-IN1	2.25" (D)	3.68" diameter round	Drawing 1
RAM-D-202U	2.25" (D)	3.68" diameter round	Drawing 1
RAM-D-202U-SYM1	2.25" (D)	3.68" diameter round	Drawing 4
RAM-D-254U	2.25" (D)	2.4375" diameter round	Drawing 3
* RAM-E-202U-IN1	3.38" (E)	3.68" diameter round	Drawing 1
RAM-E-202U	3.38" (E)	3.68" diameter round	Drawing 1
RAM-E-202U-SYM1	3.38" (E)	3.68" diameter round	Drawing 4

*steel reinforced post

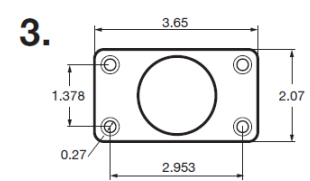
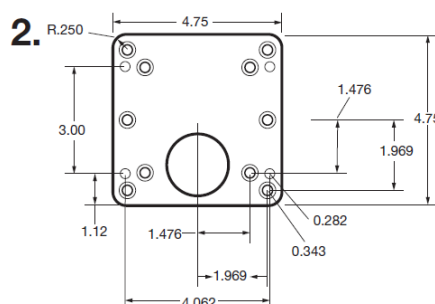
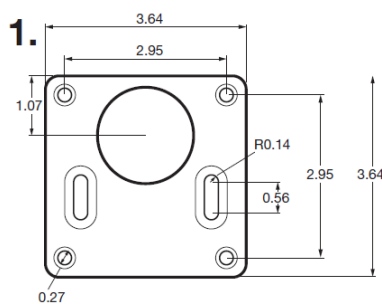
Diamond Adapters



(dimensions in inches)

Part Number	Ball Size	Base Dimensions
RAM-B-238U	1" (B)	2.43" x 1.31"
RAM-238U	1.5" (C)	2.43" x 1.31"

VESA Adapters

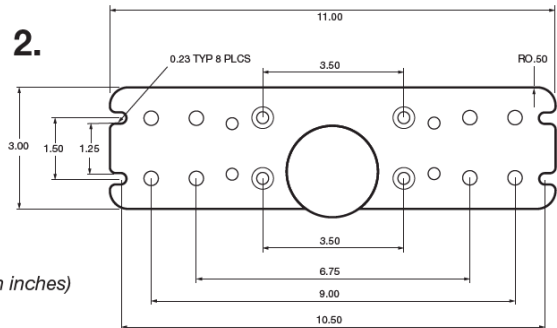
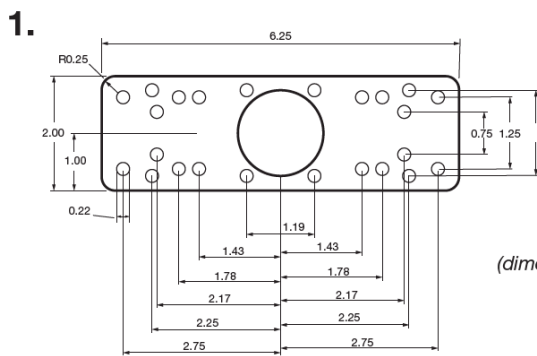


(dimensions in inches)

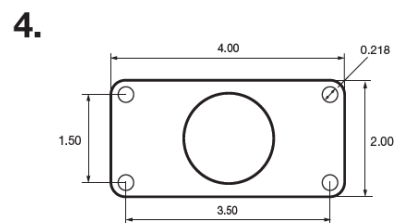
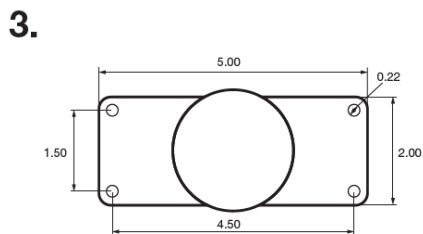
Part Number	Ball Size	Base Dimensions	Drawing Reference
RAM-246U	1.5" (C)	4.75" square	Drawing 2
* RAM-D-246U-IN1	2.25" (D)	4.75" square	Drawing 2
RAM-D-246U	2.25" (D)	4.75" square	Drawing 2
* RAM-E-246U-IN1	3.38" (E)	4.75" square	Drawing 2
RAM-E-246U	3.38" (E)	4.75" square	Drawing 2
* RAM-2461U-IN1	1.5" (C)	3.625" square	Drawing 1
RAM-2461U	1.5" (C)	3.625" square	Drawing 1
RAM-D-2461U	2.25" (D)	3.625" square	Drawing 1
RAM-2462U	1.5" (C)	3.6" x 2.1"	Drawing 3
RAM-D-2462U	2.25" (D)	3.6" x 2.1"	Drawing 3

*steel reinforced post

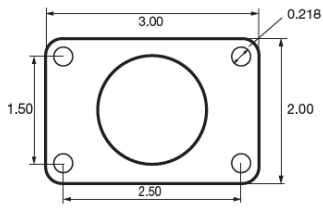
Other Adapters



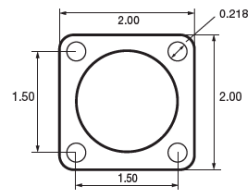
(dimensions in inches)



5.



6.



Part Number	Ball Size	Base Dimensions	Drawing Reference
RAM-111BU	1.5" (C)	6.25" x 2"	Drawing 1
RAM-137BU	1.5" (C)	11" x 3"	Drawing 2
* RAM-D-111B-IN1U	2.25" (D)	11" x 3"	Drawing 2
RAM-202U-22	1.5" (C)	2" x 2"	Drawing 6
RAM-202U-23	1.5" (C)	2" x 3"	Drawing 5
RAM-202U-24	1.5" (C)	2" x 4"	Drawing 4
RAM-202U-25	1.5" (C)	2" x 5"	Drawing 3
RAM-D-202U-22	2.25" (D)	2" x 2"	Drawing 6
RAM-D-202U-23	2.25" (D)	2" x 3"	Drawing 5
RAM-D-202U-24	2.25" (D)	2" x 4"	Drawing 4
RAM-D-202U-25	2.25" (D)	2" x 5"	Drawing 3

*steel reinforced post