



S65

Advanced color and contrast sensors in compact case

Color S65-V:

- 3 independent NPN or PNP outputs and RS 485 serial interface
- 3 channel color sensor with 10 tolerance levels
- Wide spectrum white light LED emission and RGB photo-receiver
- 2 push button setting with 4 digit display indicator

Contrast S65-W:

- High 12 bit resolution and 30 kHz switching frequency
- PNP or NPN output and RS 485 serial interface



SENSORS

APPLICATIONS

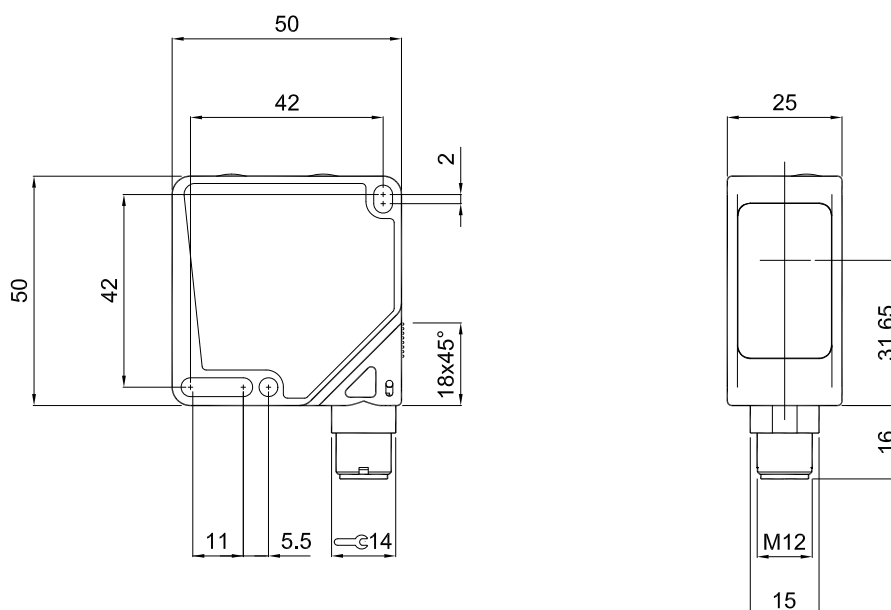
- Packaging lines
- Contrast reading
- Automatic machine



S65		
Contrast sensor		12...20 mm (S65-W)
Color sensor		5...45 mm (S65-V)
Switching frequency		30 kHz (S65-W)
		500 Hz (S65-V19 vers.) 1,5 kHz (S65-V09 vers.)
Light emission		white LED
Serial interface		RS485
Setting		push-buttons
Power supply	Vdc	10...30 V
	Vac	
	Vac/dc	
Output	PNP	▪
	NPN	▪
	NPN/PNP	
	relay	
	other	0...5 V Analog output (S65-W)
Connection	cable	
	connector	▪
	pig-tail	
Approximate dimensions (mm)		50x50x25
Housing material		ABS
Mechanical protection		IP67

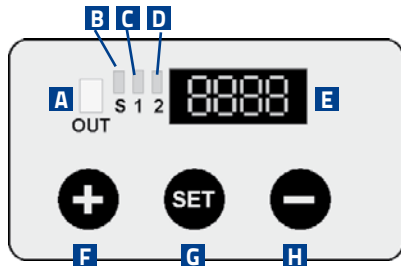
TECHNICAL DATA	
Power supply	10 ... 30 Vdc (limit values)
Ripple	2 Vpp max.
Consumption (output current excluded)	50 mA max. at 24 Vdc (mod. S65-W) 60 mA max. at 24 Vdc (mod. S65-V)
Light emission	white LED 400-700 nm
Setting	SET push-buttons SEL push-buttons (mod. S65-V)
Indicators	yellow OUTPUT LED green 4-digit display, 3 OUTPUT STATUS LEDs (S65-V), STABILITY and 2 OUTPUT DELAY LEDs (mod. S65-W)
Output	1 PNP or NPN; analog output (mod. S65-W) 3 PNP or NPN; RS485 serial interface (mod. S65-V)
Output current	100 mA max.
Saturation voltage	2 V max.
Response time	5 ms (norm) and 1 ms (fast) (mod. S65-V19) 335 µs (mod. S65-V09) 16 µs (mod. S65-W)
Switching frequency	100 Hz (norm) and 500 Hz (fast) (mod. S65-V19) 1,5 kHz (mod. S65-V09) 30 kHz (mod. S65-W)
Connection	M12 5-pole connector (mod. S65-W standard vers.), M12 8-pole connector (mod. S65-W vers. with RS485 serial interface) M12 8-pole connector (mod. S65-V)
Dielectric strength	500 Vac, 1 min between electronics and housing
Insulating resistance	>20 MΩ, 500 Vdc between electronics and housing
Electrical protection	class 2
Mechanical protection	IP67
Ambient light rejection	according to EN 60947-5-2
Vibrations	0,5 mm amplitude, 10 ... 55 Hz frequency, for every axis (EN60068-2-6)
Shock resistance	11 ms (30 G) 6 shock for every axis (EN60068-2-27)
Minimum spot dimension	3x1 mm at 19 mm (mod. S65-W) Ø 4 mm (mod. S65-V)
Depth of field	± 2 mm (mod. S65-W)
Housing material	ABS
Lens material	window and lenses in glass
Operating temperature	-10 ... 55 °C
Storage temperature	-20 ... 70 °C
Weight	100 g max.

DIMENSIONS



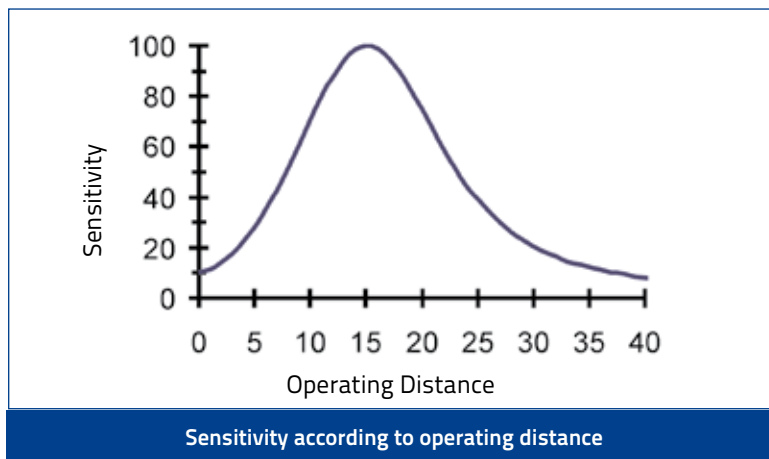
S65-W

INDICATORS AND SETTINGS S65-W



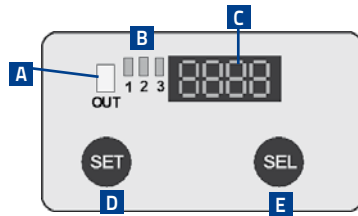
- A** Output status LED
- B** Stability LED
- C** Delay ON LED
- D** Delay OFF LED
- E** 4-digit display
- F** +/- push-buttons
- G** SET push-button
- H** M12 connector output, orientable on two positions

DETECTION DIAGRAMS S65-W



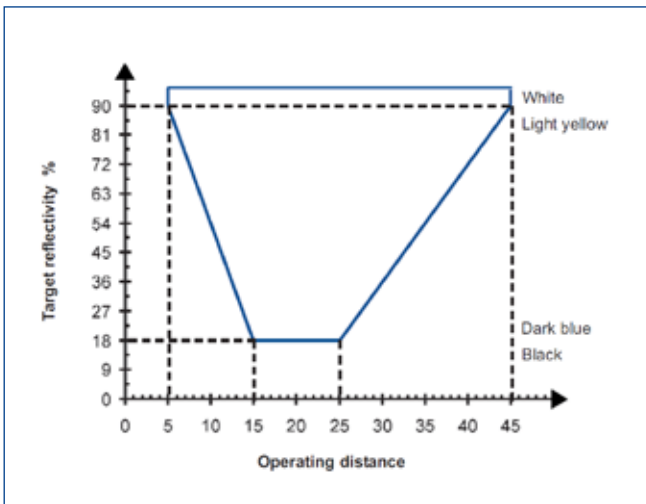
S65-V

INDICATORS AND SETTINGS S65-V

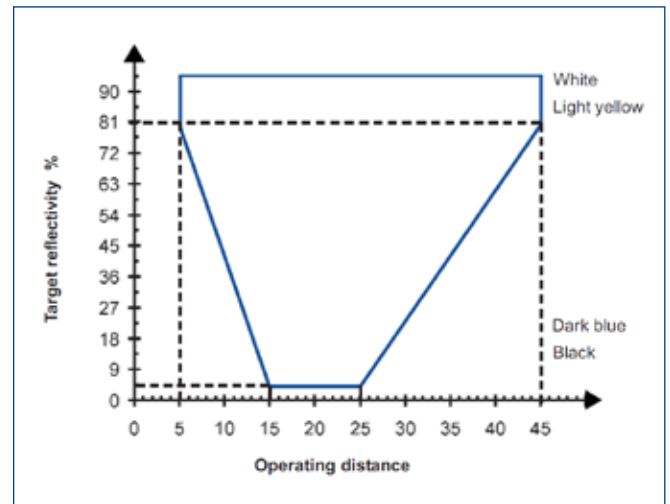


- A** Output 'OR' function LED
- B** Output status LEDs
- C** 4 digit display
- D** SET push-button
- E** SEL push-button
- F** +/- selection push-buttons
- G** M12 connector output, orientable on two positions

DETECTION DIAGRAMS S65-V



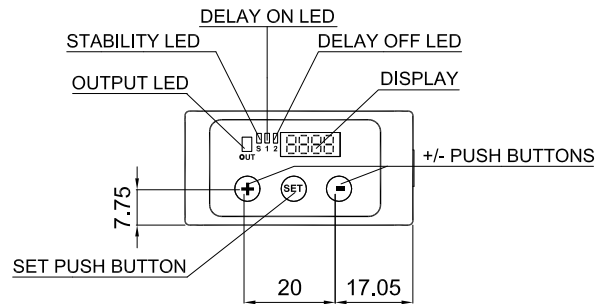
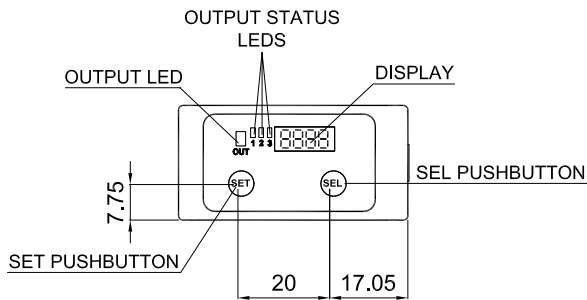
S65-V0: operating distance according to target reflectivity degree



S65-V1: operating distance according to target reflectivity degree

Color sensor S65-V

Contrast sensor S65-W

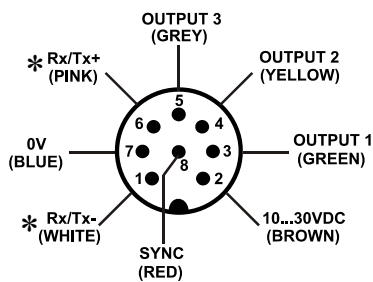


mm

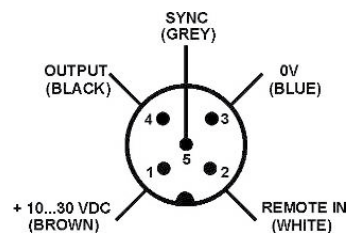
CONNECTIONS

M12 CONNECTOR - COLOR SENSOR S65-V

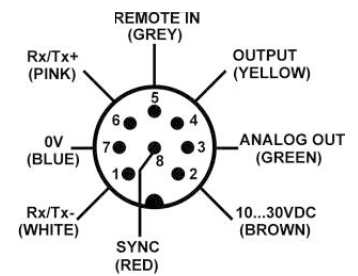
M12 CONNECTOR - CONTRAST SENSOR S65-W



standard versions



versions with RS485 serial interface



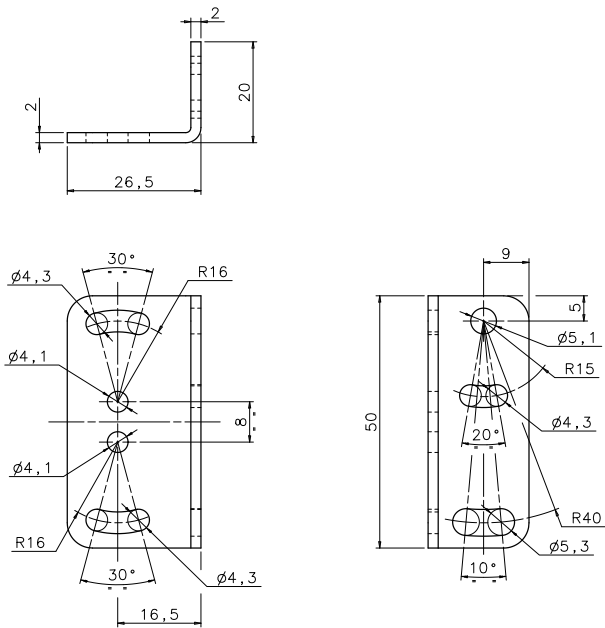
* Available only for version with RS485 serial connection (S65-PA-5-V09-xxxZ).

MODEL SELECTION AND ORDER INFORMATION

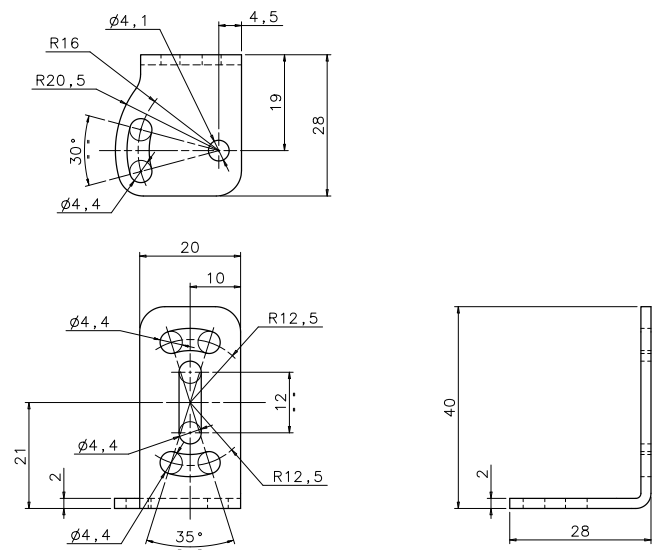
OPTIC FUNCTION	HOUSING	CONNECTION	OUTPUT	MODEL	ORDER No.
Color sensor	335 μ s	M12 8-pole Connector	PNP, RS485	S65-PA-5-V09-PPPZ	956251000
			NPN, RS485	S65-PA-5-V09-NNNZ	956251010
			PNP	S65-PA-5-V09-PPP	956251020
			NPN	S65-PA-5-V09-NNN	956251030
	5 ms (norm) or 1 ms (fast)		PNP, RS485	S65-PA-5-V19-PPPZ	956251080
			NPN, RS485	S65-PA-5-V19-NNNZ	956251090
			PNP	S65-PA-5-V19-PPP	956251100
			NPN	S65-PA-5-V19-NNN	956251110
Contrast sensor	16 μ s	M12 5-pole Connector	NPN	S65-PA-5-W09-NH	954201000
		M12 8-pole Connector	NPN, RS485	S65-PA-5-W09-NHZ	954201010
		M12 5-pole Connector	PNP	S65-PA-5-W09-PH	954201020
		M12 8-pole Connector	PNP, RS485	S65-PA-5-W09-PHZ	954201030

ACCESSORIES

ST-5020



ST-5021



MODEL	DESCRIPTION	ORDER No.
ST-5020	mounting bracket 50 x 27 x 20 mm	95ACC5330
ST-5021	mounting bracket 20 x 40 x 28 mm	95ACC5340

CABLES

TYPE	DESCRIPTION	LENGTH	MODEL	ORDER No.
Axial M12 connector	5-pole, grey, P.V.C.	3 m	CS-A1-03-G-03	95ACC2110
		5 m	CS-A1-03-G-05	95ACC2120
		10 m	CS-A1-03-G-10	95ACC2140
	5-pole, U.L., black, P.V.C	3 m	CS-A1-03-U-03	95ASE1170
		5 m	CS-A1-03-U-05	95ASE1180
		10 m	CS-A1-03-U-10	95ASE1190
		15 m	CS-A1-03-U-15	95ASE1200
		25 m	CS-A1-03-U-25	95ASE1210
		50 m	CS-A1-03-U-50	95A252700
	Radial M12 Connector	8-pole, black, P.V.C.	3 m	CS-A1-06-B-03
5 m			CS-A1-06-B-05	95ACC2270
10 m			CS-A1-06-B-10	95ACC2280
3 m			CV-A2-26-B-03	95ACC1600
Axial M12 Connector	8-pole, shielded, black, P.V.C.	5 m	CV-A2-26-B-05	95ACC1610
		10 m	CV-A2-26-B-10	95ACC1620
		3 m	CV-A1-26-B-03	95ACC1510
		5 m	CV-A1-26-B-05	95ACC1520
		10 m	CV-A1-26-B-10	95ACC1530
		15 m	CV-A1-26-B-15	95ACC2080
	8-pole, U.L., black, P.V.C.	25 m	CV-A1-26-B-25	95ACC2100
		3 m	CS-A1-06-U-03	95ASE1220
		5 m	CS-A1-06-U-05	95ASE1230
		10 m	CS-A1-06-U-10	95ASE1240
		15 m	CS-A1-06-U-15	95ASE1250
		25 m	CS-A1-06-U-25	95ASE1260
		50 m	CS-A1-06-U-50	95A252710
8-pole, black	Connector-not cabled	CS-A1-06-B-NC	95ACC2550	